



EVOKE 2 & EVOKE 2 JNR

USER MANUAL



Aspire
Evoke 2



Aspire
Evoke 2 JNR

Congratulations and thank you for choosing an Aspire Wheelchair.

This product has been designed to offer the maximum in comfort, safety and adjustability. Aspire Evoke Wheelchairs are suitable for indoor and outdoor use and are available in a range of sizes.

It is important that you read this user manual carefully before using your new wheelchair.

TABLE OF CONTENTS

1. Symbols Used In This Manual	4
2. Symbols Used on the Product	4
3. Intended Use	5
4. Product Description	6
5. Warnings	6
6. Product Specifications	7
7. List Of Components	8
8. Assembly	9
9. Preliminary Checks	10
10. General Operation	10
11. Adjustments	15
12. Accessories	17
13. Amputee Setting Adjustment	25
14. Troubleshooting	27
15. Care & Maintenance	28
16. Warranty	29
17. Compliance	29
18. Service Maintenance & Customisation	29
19. Manufacturer, UK Representative & Importer Details	30

UK This product Features the UKCA mark, in compliance with Part II
CA UK MDR 2002 (as amended) Class 1.

© Aidacare Pty Ltd 2023

No part of this user manual may be copied, distributed, reproduced, scanned or stored on any electronic database, whether in whole or in part in any form or by any means.

Due care has been taken to ensure all the information contained in this user manual is correct at the time of printing. All measurements, pictures, colours and weight capacities are to be used as a guide only. We reserve the right to modify the design or appearance of any product displayed in this user manual without prior notice.

1. SYMBOLS USED IN THIS MANUAL

The symbols below are used throughout this user manual and on the product to identify warnings and important information. It is very important for you to read them and understand them completely.



WARNING

WARNING! Indicates a potentially hazardous condition/situation. Failure to follow designated procedures can cause either personal injury, component damage or malfunction. On the product, this icon is represented as a black symbol on a white triangle with a black border.



ALWAYS! These actions should be performed as specified. Failure to perform mandatory actions can cause personal injury and/or equipment damage. On the product, this icon is represented as a white infinity symbol on a black dot with a white border.



DO NOT! These actions are prohibited. These actions should not be performed at any time or in any circumstances. Performing a prohibited action can cause personal injury and/or equipment damage. On the product, this icon is represented as a white symbol with a black circle and black slash.

2. SYMBOLS USED ON THE PRODUCT

aspire EVOKE 2 WHEELCHAIR	AUSTRALIA Aidacare Pty Ltd ABN 40 134 833 Building 3A, 1 Moorebank Avenue, Moorebank NSW 2170 1300 133 120 product@aidacare.com.au	UK REP SGB QA/RA Consulting Ltd 5 Ashley Road, Clevedon BS21 7UX sam@sbgconsultingservices.co.uk	
# MWS449500 MWS449500-UK	UNITED KINGDOM Aidacare Ltd Registration 13785408 Arcadia House, Maritime Walk, Ocean Village, Southampton SO14 3TL 01622 541235 info@aidacare.co.uk	MADE IN PRC It is recommended that you have this product serviced every 12 months	
SN			
Manufactured:			ISO 7176-19:2008



Product Code



UKCA Mark



Serial Number



Safe Working Load



Manufacturing Date



Read User Manual



Manufacturer



Caution



Importer



Medical Device



Country of Manufacture



Crash Tested to ISO7176-19:2008



Authorised Representative in UK

3. INTENDED USE

ASPIRE EVOKE 2 MANUAL WHEELCHAIR

This product is specifically designed for individuals who, due to a wide variety of reasons, have limited mobility or are unable to walk. This product should be used as a tool to assist with mobility or walking difficulties.

Attendant Propelled Wheelchairs are able to be propelled by an attendant with the push handles. This wheelchair is designed for indoor and limited outdoor use. When used outdoors this wheelchair must remain on sealed, level terrain (examples include but are not limited to shopping centres, medical centres, flat and level footpaths, and environments with accessibility-focused layouts). When using outdoors it is suggested that anti-tip wheels are fitted.

Self Propelled Wheelchairs are able to be propelled by a user with the self-propelling wheels or by an attendant with the push handles. This wheelchair is designed for indoor and limited outdoor use. When used outdoors this wheelchair must remain on sealed, level terrain (examples include but are not limited to shopping centres, medical centres, flat and level footpaths, and environments with accessibility-focused layouts). When using outdoors it is suggested that anti-tip wheels are fitted.



WARNING

WARNING! This wheelchair is intended to bear the weight of an occupant through its wheels during propulsion and when stationary. It is **NOT** designed to be lifted/carried with an occupant in the seat and doing so may cause serious injury or death.

ASPIRE EVOKE 2 JNR MANUAL WHEELCHAIR

This product is specifically designed for children who, due to a wide variety of reasons, have limited mobility or are unable to walk. This product should be used as a tool to assist with mobility or walking difficulties.

Attendant Propelled Wheelchairs are able to be propelled by an attendant with the push handles. This wheelchair is designed for indoor and limited outdoor use. When used outdoors this wheelchair must remain on sealed, level terrain (examples include but are not limited to shopping centres, medical centres, flat and level footpaths, and environments with accessibility-focused layouts). When using outdoors it is suggested that anti-tip wheels are fitted.

Self Propelled Wheelchairs are able to be propelled by a user with the self-propelling wheels or by an attendant with the push handles. This wheelchair is designed for indoor and limited outdoor use. When used outdoors this wheelchair must remain on sealed, level terrain (examples include but are not limited to shopping centres, medical centres, flat and level footpaths, and environments with accessibility-focused layouts). When using outdoors it is suggested that anti-tip wheels are fitted.



WARNING

WARNING! This wheelchair is intended to bear the weight of an occupant through its wheels during propulsion and when stationary. It is **NOT** designed to be lifted/carried with an occupant in the seat and doing so may cause serious injury or death.

4. PRODUCT DESCRIPTION

ASPIRE EVOKE 2 MANUAL WHEELCHAIR

The Aspire Evoke 2 Manual Wheelchair is a lightweight four wheel wheelchair with a cross folding frame. The product is made of aircraft grade aluminium, ensuring strength, durability and easy movement. This wheelchair offers enhanced manoeuvrability and stability, a wide size range and leading adjustability for a customised fit. It is equipped with a fabric seat and back, seat cushion, push handles, large 24 inch rear self-propelling quick release wheels and removable swing away legrests. A large range of accessories can be fitted to the Aspire Evoke 2 Manual Wheelchair to improve its overall performance.

ASPIRE EVOKE 2 JNR MANUAL WHEELCHAIR

The Aspire Evoke 2 JNR Manual Wheelchair is a lightweight four wheel wheelchair with a cross folding frame. The product is made of aluminium, ensuring strength durability and easy movement. This wheelchair offers enhanced manoeuvrability and stability, a wide size range and leading adjustability for a customised fit. It is equipped with a fabric seat and back, seat cushion, push handles, medium 20 inch rear self-propelling quick release wheels and removable swing away legrests. A large range of accessories can be fitted to the Aspire Evoke 2 JNR Manual Wheelchair to improve its overall performance.

5. WARNINGS

MAXIMUM WEIGHT CAPACITY – 150kg / 23.6st – 350 – 500mm / 13.7" – 19.6" SEAT WIDTHS

MAXIMUM WEIGHT CAPACITY – 190kg / 29.9st – 570 – 610mm / 22.4" – 24" SEAT WIDTHS



DO NOT exceed maximum user weight. This weight limit includes any accessories, shopping or other personal items that may be carried on the chair. The maximum weight capacity is defined with respect to a typical body shape, where body mass is evenly distributed. Users with dysmorphic body shapes or amputees should be assessed by an accredited healthcare professional prior to choosing/using this wheelchair.



DO NOT stand on the foot plates as the wheelchair may tip forwards. The foot plates are not designed to be a weight bearing surface.



DO NOT use the wheelchair on escalators, even if accompanied by an attendant.



DO NOT use the wheelchair on escalators, even if accompanied by an attendant.



ALWAYS use push rims to bring the wheelchair to a stop. **DO NOT** use the brakes to stop a moving wheelchair.



WARNING

WARNING! Pay attention to your fingers when folding or opening the wheelchair and when self-propelling the chair with hands in close proximity to wheel spokes.

6. PRODUCT SPECIFICATIONS

ASPIRE EVOKE 2 MANUAL WHEELCHAIR

CODE	SEAT WIDTH (mm / inches)	OVERALL WIDTH (mm / inches)	SEAT DEPTH (mm / inches)	SEAT HEIGHT (mm / inches)	BACKREST HEIGHT (mm / inches)	ARMREST HEIGHT (mm / inches)	MINIMUM CHAIR WEIGHT (kg / lb)	SWL (kg / st)
EVOKE 2								
MWS449500	350 14"	560 22"	300 – 450 11.8" – 17.7"	450 – 500 17.1" – 19.6"	430 – 490 16.9" – 19.2"	210 – 230 8.26" – 9"	14.8 kg 32.6lbs	150 kg 23.6st
MWS449510	400 16"	610 24"	300 – 450 11.8" – 17.7"	450 – 500 17.1" – 19.6"	430 – 490 16.9" – 19.2"	210 – 230 8.26" – 9"	14.9 kg 32.8lbs	150kg 23.6st
MWS449520	450 18"	660 25.9"	300 – 450 11.8" – 17.7"	450 – 500 17.1" – 19.6"	430 – 490 16.9" – 19.2"	210 – 230 8.26" – 9"	15.0 kg 33lbs	150 kg 23.6st
MWS449530	500 20"	710 27.9"	400 – 550 15.7" – 21.6"	450 – 500 17.1" – 19.6"	430 – 490 16.9" – 19.2"	210 – 230 8.26" – 9"	15.1 kg 33.2lbs	150 kg 23.6st
MWS449540 (HD)	570 22"	780 30.7"	400 – 550 15.7" – 21.6"	450 – 500 17.1" – 19.6"	430 – 490 16.9" – 19.2"	210 – 230 8.26" – 9"	16.0 kg 35.2lbs	190 kg 29.9st
MWS449550 (HD)	610 24"	820 32.2"	400 – 550 15.7" – 21.6"	450 – 500 17.1" – 19.6"	430 – 490 16.9" – 19.2"	210 – 230 8.26" – 9"	16.2 kg 35.7lbs	190 kg 29.9st

ASPIRE EVOKE 2 JNR MANUAL WHEELCHAIR

CODE	SEAT WIDTH (mm / inches)	OVERALL WIDTH (mm / inches)	SEAT DEPTH (mm / inches)	SEAT HEIGHT (mm / inches)	BACKREST HEIGHT (mm / inches)	ARMREST HEIGHT (mm / inches)	MINIMUM CHAIR WEIGHT (kg / lb)	SWL (kg / st)
EVOKE 2 JNR								
MWS449560	300 mm 12"	510 20"	300 – 450 11.8" – 17.7"	410 – 450 16.1" – 17.7"	430 – 490 16.9" – 19.2"	210 – 230 8.2" – 9"	14 kg 30.8lbs	150 kg 23.6st

7. LIST OF COMPONENTS

ASPIRE EVOKE 2 MANUAL WHEELCHAIR



No.	Description
1	Rear Wheels
2	Quick Release Axles
3	Armrests
4	Footrests
5	Height Adjustable Castor Fork
6	Front Castor Wheel
7	Foot Plate with Heel Loop
8	Attendant Hand Grips
9	Hand Brakes
10	Cross Bar

ASPIRE EVOKE 2 JNR MANUAL WHEELCHAIR



No.	Description
1	Rear Wheels
2	Quick Release Axles
3	Armrests
4	Footrests
5	Height Adjustable Castor Fork
6	Front Castor Wheel
7	Foot Plate with Heel Loop
8	Attendant Hand Grips
9	Hand Brakes
10	Cross Bar

8. ASSEMBLY

BOX CONTAINS:

Wheelchair frame fitted with rear wheels

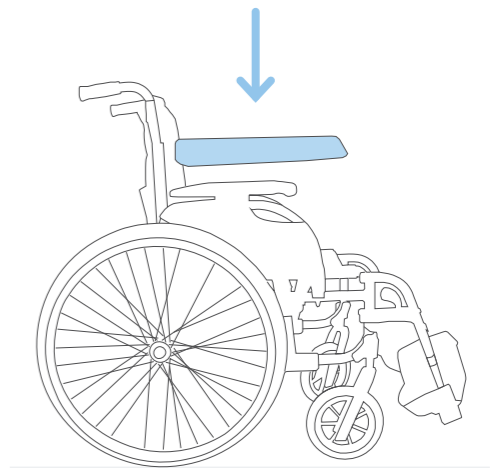
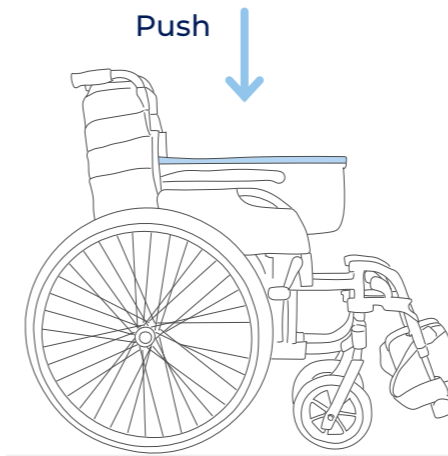
- Wheelchair
- Left Legrest
- Right Legrest
- Allen Keys (4mm, 5mm)
- User Manual
- Seat Cushion



When opening the carton, ensure it is done in a safe and careful manner. **DO NOT USE** a box cutter or sharp implement as this may damage the product. For WH&S purposes, lay the carton on its side with the top of the carton open and slide the plastic bag out containing the wheelchair.

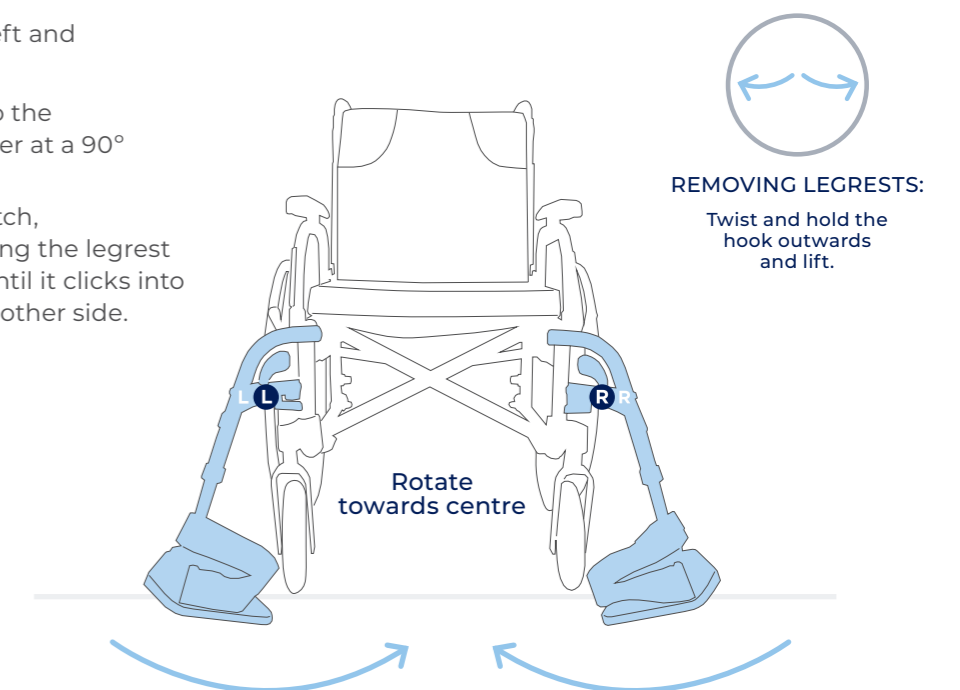
- 1 Place the wheelchair on levelled ground. Then pushdown on the side rails of the seat until flat.

- 2 Secure the cushion onto the base.



- 3 Wheelchairs come with a left and right legrest.

- a Insert the legrest into the corresponding receiver at a 90° angle (as shown).
- b Twist and hold the latch, simultaneously rotating the legrest towards the centre until it clicks into place. Repeat for the other side.



9. PRELIMINARY CHECKS

After assembling the wheelchair, these checks should be completed prior to initial use:

1. Check that the seating surface is locked into place, creating a flat support surface.
2. Check that rear wheels are locked in place and that quick release axle is not loose.
3. Check that rear brakes engage and disengage.
4. If fitted with accessories, ensure that they are secure and locked in place.

10. GENERAL OPERATION

10.1 GENERAL OPERATION

It is very important that this wheelchair is used under guidance from all warnings or hazards listed in this product user manual. Key safety measures should be taken by both users and attendants when using this wheelchair:

- Avoid quick direction changes.
- Ensure your wheelchair is used on surfaces intended for its use.
- Ensure an attendant is available to assist at all times.

10.2 LIFTING THE WHEELCHAIR

To fold your chair correctly follow the 'ASSEMBLY' instructions in reverse 3, 2, 1.

Then, use the carry handle on the seating surface to safely lift the wheelchair.



DO NOT lift the wheelchair with an occupant in the seat. This lifting guide is for safe handling of the wheelchair only.

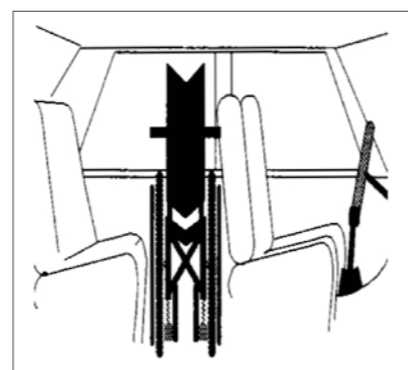
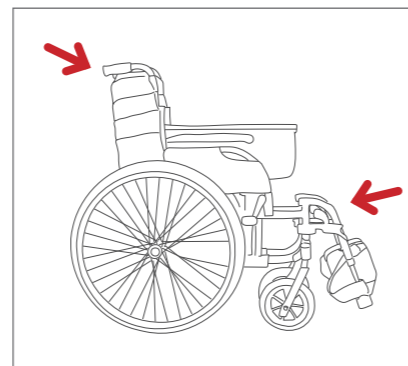


WARNING

WARNING! DO NOT lift the wheelchair by holding it by the legrests or the armrests! Fold-up the legrests prior to lifting the chair.

10.3 TRANSPORTING THE WHEELCHAIR (WITHOUT OCCUPANT)

To transport this chair in a motor vehicle it is suggested that the backrest, seat and legrests are folded as per the "Lifting the Wheelchair" instructions above. This will help reduce the overall chair size in order to fit into the rear boot or backseat of a standard motor vehicle.



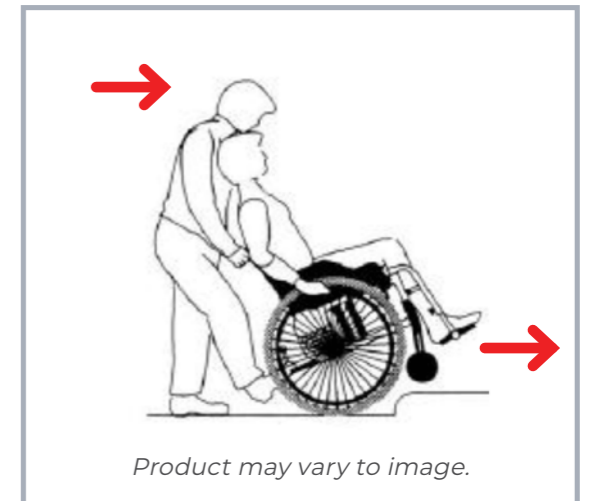
10.4 MOVING WHEELCHAIR UP A KERB OR SINGLE STEP (WITH AN ATTENDANT)

1. Push the wheelchair up to the kerb **FEET FIRST**.
2. The attendant should push down on the rear foot peg to slightly incline the chair. **DO NOT** tilt the chair back with the push handles.
3. Once the front wheels are firmly on the ground above the kerb, the rear wheels should be pushed against the kerb to propel the entire chair to rest above the kerb.



WARNING

WARNING! This should only ever be done with an attendant and not performed by a user on their own. It is very important the above steps are followed to prevent injury to both the user and the attendant.



Product may vary to image.

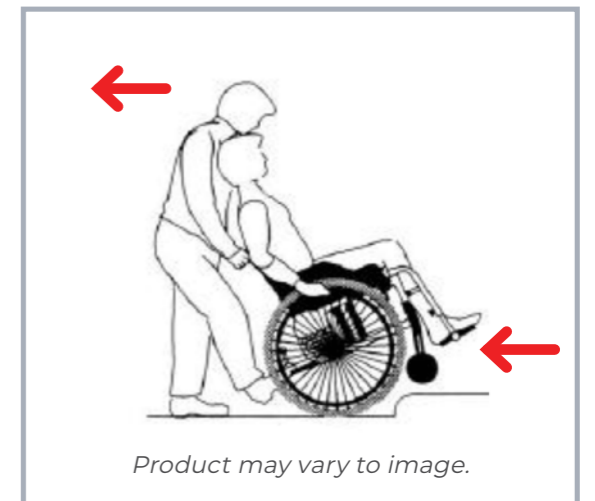
10.5 MOVING WHEELCHAIR DOWN A KERB OR SINGLE STEP (WITH AN ATTENDANT)

1. Reverse the wheelchair up to the kerb **FEET LAST**.
2. The attendant should check for cars or obstructions prior to commencing the descent.
3. The attendant should slowly lower the rear wheels down to the road surface, ensuring not to tip the chair.
4. Once the rear wheels are firmly on the road surface, the front wheels should be slowly lowered onto the road surface.



WARNING

WARNING! This should only ever be done with an attendant and not performed by a user on their own. It is very important the above steps are followed to prevent injury to both the user and the attendant.



Product may vary to image.

OTHER IMPORTANT WARNINGS



WARNING

Warning! Sloped or uneven terrain

This wheelchair is designed for use on flat-level surfaces. If encountering sloped or uneven terrain an alternative route should be sought. If impossible a carer should always be present, and use the attendant brakes to control speed and ensure the wheelchair to continue straight forward until reaching flat ground.



WARNING

Warning! Maintaining stationary position

When not propelling the wheelchair the brakes should be applied in the locked position at all times.



Warning! Protecting hands when self-propelling

When slowing or braking the wheelchair using the self-propelling hand rims, heat can be created via friction. To protect the skin integrity of the hands, it is strongly suggested that the user wear wheelchair gloves.

WARNING



WARNING! DO NOT travels down kerbs or single steps without an attendant carer

NEVER attempt to transit down multiple steps with or without an attendant carer.

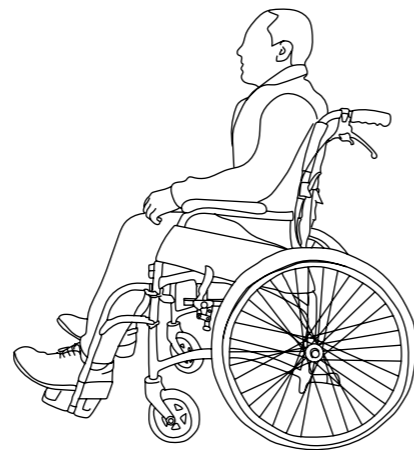
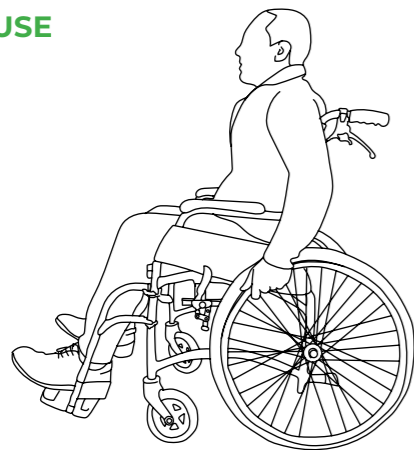
WARNING



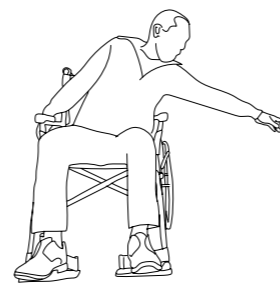
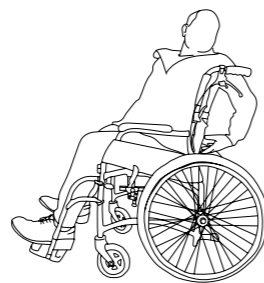
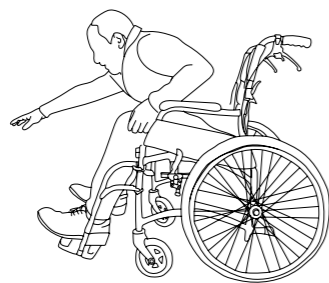
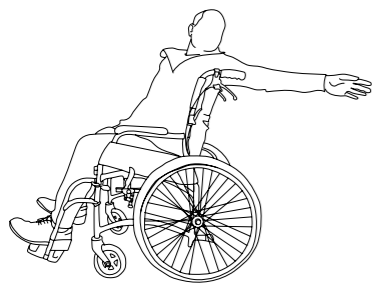
WARNING! When self-propelling the wheelchair, it is strongly suggested that anti-tip wheels are fitted. If anti-tip wheels are in the raised position or not fitted to the chair an attendant carer should stand behind the wheelchair holding the handles.

WARNING

SAFE USE



UNSAFE USE



Warning! Avoid reaching from within the wheelchair

To ensure the upright stability of the wheelchair, never reach for objects as this changes the centre of mass and may cause the chair to tip over in the direction of reaching. This warning relates to reaching in any direction outside the perimeter of the wheelchair.

WARNING

10.6 TRANSPORTING THE WHEELCHAIR (WITH AN OCCUPANT)

Aspire Evoke 2 & Evoke 2 JNR wheelchairs are compliant to ISO7176-19:2008 & AS/NZS 3696.19t (Wheelchairs wheeled mobility devices for use as seats in motor vehicles). These are approved to be used in compliant vehicles when fitted with a headrest. (See page 23 – Deluxe Headrest).

To secure Aspire Evoke 2 & Evoke 2 JNR wheelchairs, the below steps must be followed:

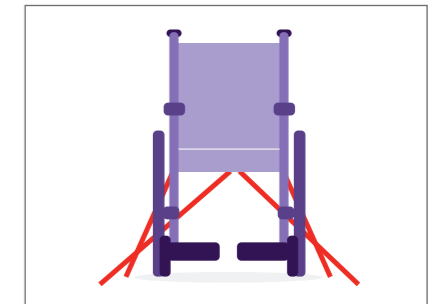
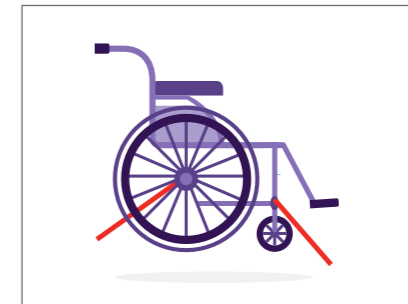
1. Identify tie down points (4 in total) on wheelchair frame, these are identified with a tie down logo.



2. Apply wheelchair brakes. (Both sides)



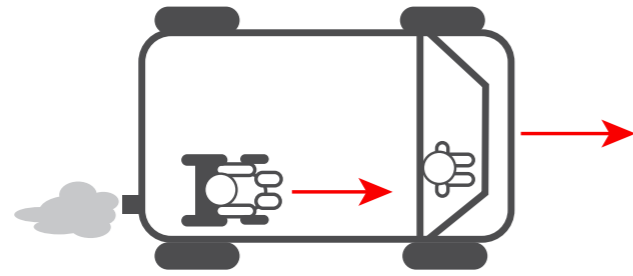
3. Secure all four tie down points ensuring the chair is firmly secured to the vehicle not allowing any movement whilst being transported.



4. Fasten seat belt over the occupants shoulder, passing over their lap, down beside the rear wheel and locking into place in the buckle located on the floor of the vehicle.



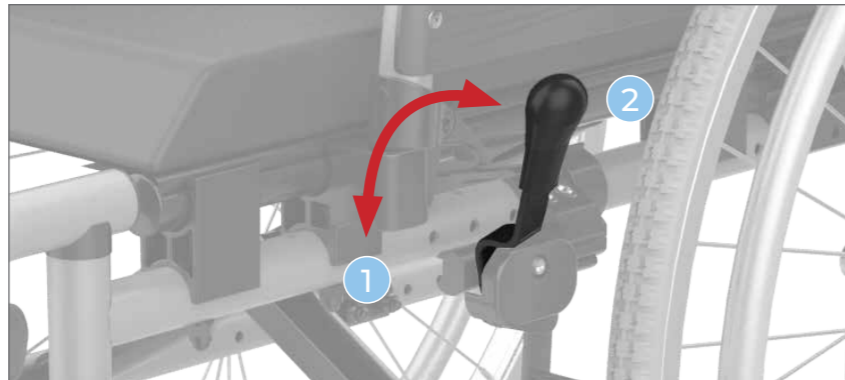
WARNING! DO NOT transport an occupant in the wheelchair if the above process is not correctly followed. It is imperative that these steps are completed in order to ensure user safety. The wheelchair is to always be facing the same direction of seats within the vehicle, not to the side or backwards.



10.7 USING THE WHEELCHAIR BRAKES

Aspire Evoke 2 Manual Wheelchairs have locking brakes to ensure no movement occurs when the wheelchair is in a stationary position.

1. To engage brakes, push forward on the brake lever until firmly locked in place.
2. To disengage brakes, pull back on the brake lever until unlocked.

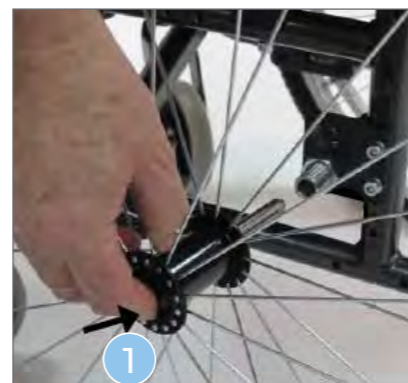


WARNING! Brakes should always be locked when leaving a user unattended in the wheelchair.

10.8 QUICK RELEASE WHEELS

If the rear wheels need to be removed for repair or replacement, quick release axles are fitted to assist.

1. To detach the rear wheel from the frame, press & hold the release button and remove the wheel from the frame.
2. To attach wheel, reverse step 1.



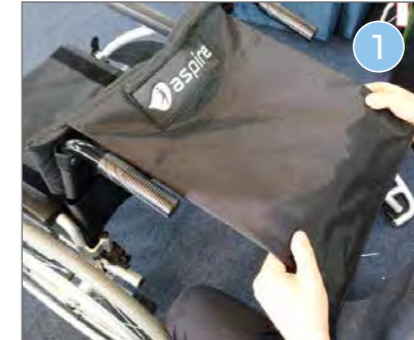
WARNING! Ensure quick release axles are mounted correctly and locked in place prior to seating a user.

11. ADJUSTMENTS

Aspire Evoke 2 & Evoke 2 JNR Manual Wheelchairs have multiple adjustment points to ensure maximum comfort for users. It is very important that the below steps are followed when adjusting the wheelchair to ensure maximum safety.

11.1 BACKREST HEIGHT ADJUSTMENT

1. Peel back upholstery in the lower edge of the backrest cane to reveal two bolt heads.
2. Remove 8 bolts (4 x each side) and reposition canes as required.
3. Tighten bolts and reattach upholstery.



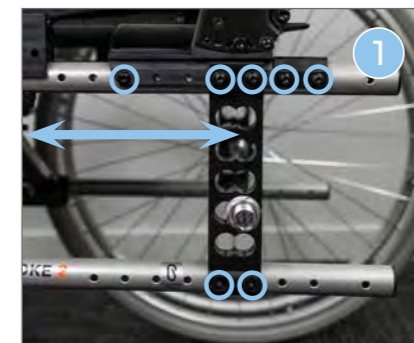
11.2 BACKREST TENSION ADJUSTMENT

1. Peel back upholstery to reveal Velcro adjustment straps.
2. Reposition straps to desired position and reapply upholstery securing in place with Velcro.



11.3 SEAT DEPTH AND REAR WHEEL ADJUSTMENT

1. Remove all bolts as shown and move backrest receiver bracket to the desired seat depth.
2. To adjust rear wheel position and height, the axle mount and receiver can be adjusted as shown. Once at the desired position, ensure all hardware is tightened securely.



NOTE: Ensure the rear wheels are located in symmetrical positions on both sides of the chair to maintain stability.



11.4 BACKREST ANGLE ADJUSTMENT

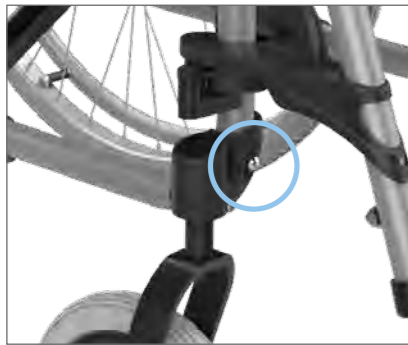
1. Using the Allen key supplied, loosen the screws on either side of the backrest plate.
2. Reposition backrest into the desired position and fasten screws in place.



11.5 FRONT CASTOR HEIGHT ADJUSTMENT

1. Using the Allen key supplied, loosen the bolts and remove the centre pin.
2. Reposition to the desired height, reposition centre pin and fasten with bolts.

NOTE: Ensure the front castors are located in symmetrical positions on both sides of the chair to maintain stability.



11.6 FRONT CASTOR FORK ANGLE ADJUSTMENT

1. Using the Allen key supplied, remove both mounting screws.
2. Fork can be re positioned to 4 pre-determined angle and fasten with screws.

NOTE: Ensure the front castors are located in symmetrical positions on both sides of the chair to maintain stability.



11.7 FOOTREST HEIGHT ADJUSTMENT

1. Using the Allen key supplied, loosen the bolt on the side of the footrest.
2. Reposition the height of the footrest and fasten in place with the bolt.



11.8 FOOTREST ANGLE ADJUSTMENT

1. Using the allen key supplied, loosen the bolt on the side of the footrest.
2. Reposition the angle of the footrest and fasten in place with the bolt.

12. ACCESSORIES

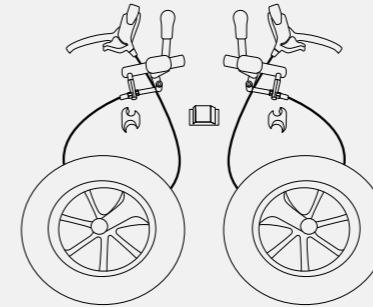
Aspire Evoke 2 and Evoke 2 JNR Manual Wheelchairs are compatible with a large range of accessories to improve product performance.

12.1 ATTENDANT PROPELLED CONVERSION KIT

**Attendant Propelled Conversion Kit
(Incl. Brakes and Wheels)**
– WCA848594

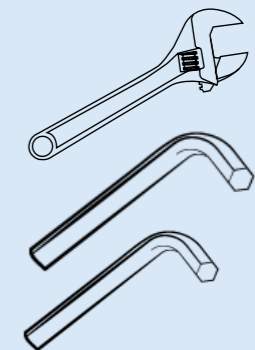
COMPONENTS INCLUDED
IN THE KIT:

- 2 x 12" wheels
- 2 x T-brackets
- 2 x Attendant brake levers
- 2 x Brake assemblies with hardware



Tools required for assembly:

- 24mm Spanner
- 10mm Spanner
- 4mm Allen Key
- 5mm Allen Key



1. Remove the 24" wheel
 - a. Press the axle cap in to release the axle and wheel from the wheelchair



2. Remove the Axle receiver for the 24" wheels from the upright mounting bracket.
 - a. Use the 24mm spanner to unscrew the nut on both sides
 - b. Remove the axle receiver
 - c. Keep it with the 24" wheels, axle, and axle receiver in a safe place (should you wish to convert the wheelchair to Self Propelled again in future)



3. Assemble the T-bracket and attach to frame

- a. Line the T-bracket up with the holes next to the upright mounting bracket
- b. Screw the T-bracket into place using the 10mm spanner and 4mm Allen key



4. Attach the 12" wheels

- a. Mount the 12" wheel with axle
- b. The ball bearing on the end of the axle will lock the wheel into place



5. Assemble the attendant brakes

- a. Place the brake mount around the wheelchair frame in front of the rear wheels, making sure that the brake is close to the wheels, screw the mount in using the 5mm Allen key
- b. Attach the attendant brake lever to the handlebars of the wheelchair and screw them using 4mm Allen key



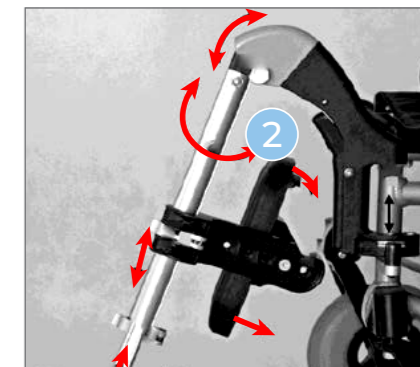
6. Follow the same instructions for the other side and enjoy your attendant propelled wheelchair



12.2 ELEVATING LEGRESTS

Elevating legrests allow for a users legs to be reclined for comfort and pressure care.

- Elevating legrests connect to the wheelchair frame using the same method as standard legrests (see page 8, step 3).
- To adjust legrest angle, press and hold the release button (2) and lift or lower the footplate as required.



12.3 AMPUTEE/STUMP SUPPORT

Stump supports / amputee supports connect easily on to the legrest receiver to ensure amputee users can sit in comfort offering a contoured and extended support surface.

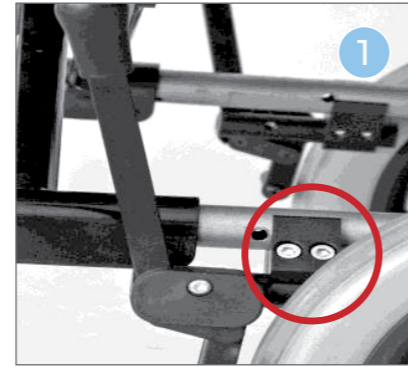
1. Insert the Stump Support into the top of the frame legrest receivers.
2. Adjust the height or angle of the stump support by using the hand fastening lever.



12.4 BRAKE EXTENSION LEVER

To assist in a user activating the brakes, an extended brake lever can be fitted.

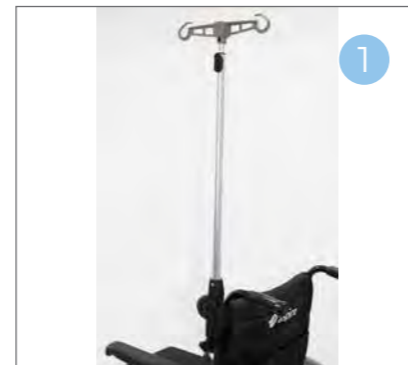
1. Remove the existing brake lever by unscrewing the mounting hardware.
2. Mount the extended brake lever by screwing the mounting hardware firmly in place.



12.5 IV POLE

To facilitate Intravenous infusion, IV Poles can be mounted to the wheelchair.

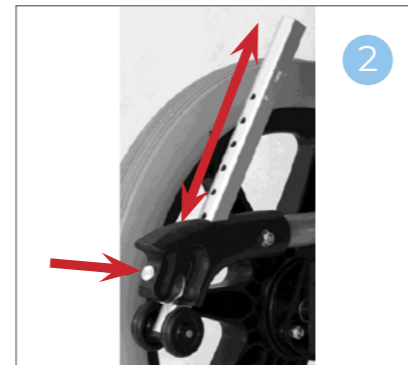
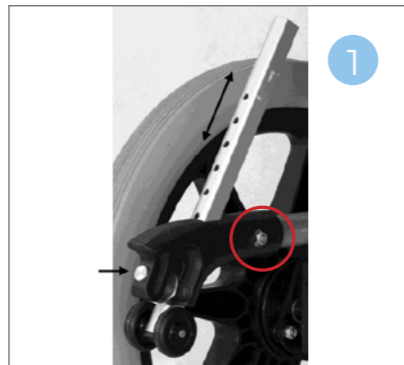
1. The IV pole clamp can be attached to either backrest cane. Once secured, firmly in place, drop in the IV pole.



12.6 ANTI-TIP WHEELS

Anti-tip bars ensure a chair will not tip when over tilted by a user or an attendant.

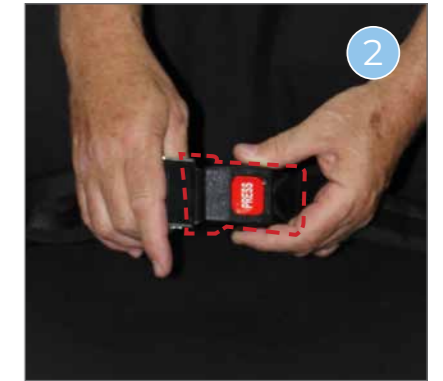
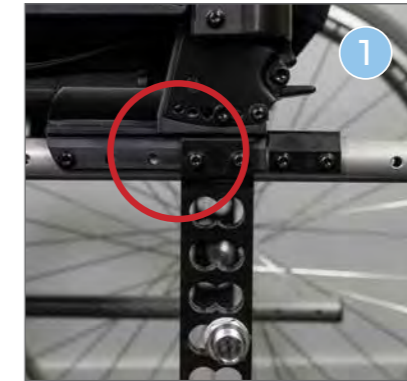
1. Remove rear foot pegs, slide on anti-tip bars and lock in place.
2. The anti-tip wheel height range is adjustable for improved mobility during carer transportation.



12.7 LAP/SEAT BELT

For extra safety when manoeuvring a user, a lap belt is available.

1. Mount seat belt ends onto either side of the chair and fasten in place with a bolt.
2. Lock/unlock lap belt by pressing red button.



12.8 OXYGEN BOTTLE HOLDER

For users who require an oxygen source, the oxygen bottle holder mounts simply to the rear of the chair frame.

1. Align oxygen bottle holder with frame mounting holes and fasten in place with bolts provided.
2. Insert oxygen bottle ensuring all tubing and regulator are clear of moving parts, such as rear wheels.



12.9 HEIGHT ADJUSTABLE ARMRESTS

For additional positioning requirements, height and depth adjustable armrests can easily be mounted to the wheelchair.

1. To adjust the height of the armrest, press and hold the button then raise and lower the armrest pad.
2. To adjust armrest depth undo the bolts connecting the pad to the armrest frame, position as required and re-fasten securely.

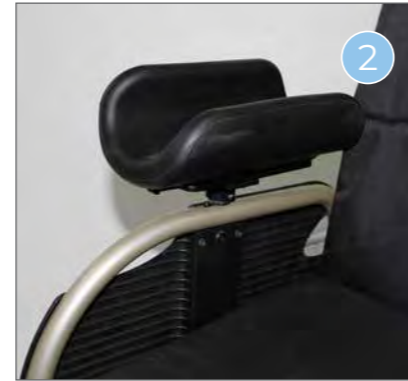


12.10 GUTTER ARMRESTS

For additional comfort, gutter armrest pads can be mounted to existing armrests:

- Remove standard armrest pad by unscrewing from underneath all bolts.
- 2. Line up gutter armrests and fix in place with bolts.

Note: Side transfers are not possible when gutter armrests are attached



12.11 CONTOURED PADDED OVERLAY

For extra user comfort, contoured padded overlays can be fitted.

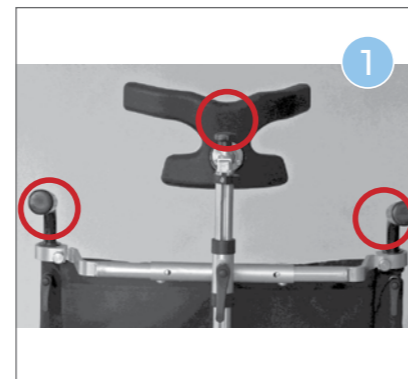
- Remove seat cushion.
- Place contoured padded overlay on seating surface ensuring that the seat and back are now covered.
- Fasten seat in place by lining up Velcro strips on seating and backrest surface.
- Fasten back in place by lining up Velcro strips on rear of backrest.



12.12 DELUXE HEADREST

For comfort and safe vehicle transportation, the deluxe headrest attachment can be retro-fitted.

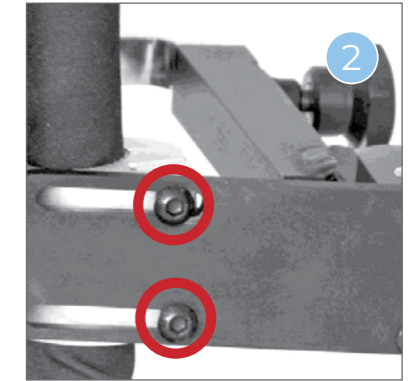
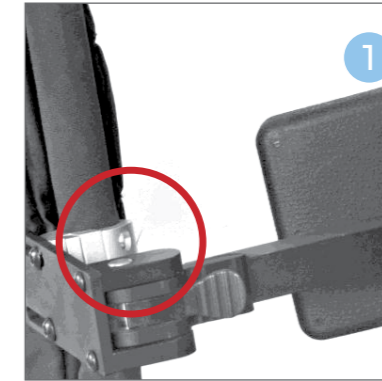
- Mount cross bar across rear push handles, fasten in place with locking pin. Adjust position of headrest and lock into place with fastening hand wheel.



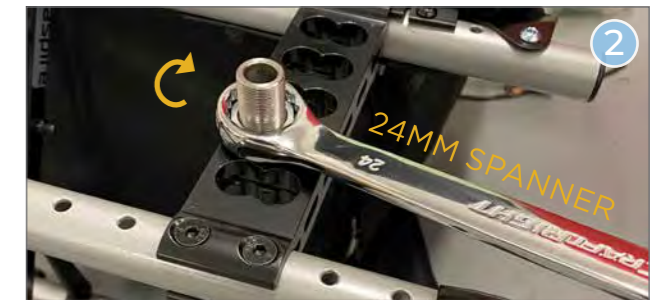
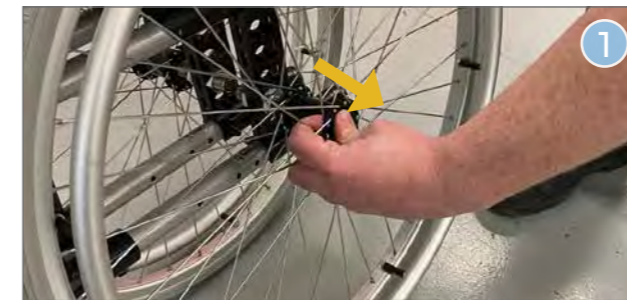
12.13 LATERAL SUPPORT PADS

For additional lateral support and stabilisation, lateral chest supports can be retrofitted.

- Mount bracket to rear backrest cane, fasten in place with bolts.
- To change the angle, loosen the bolts until desired position is reached, lock in place with bolts.

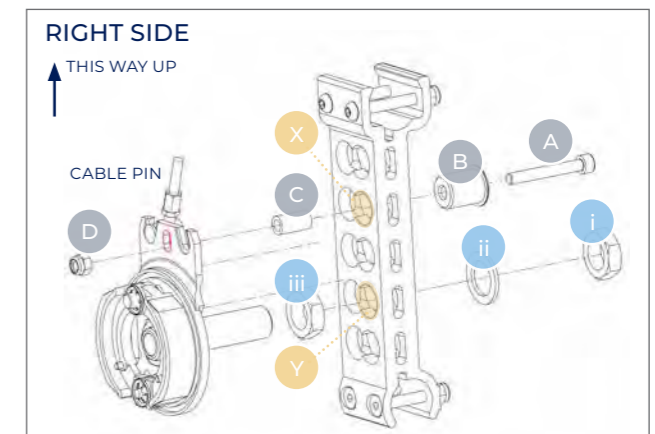
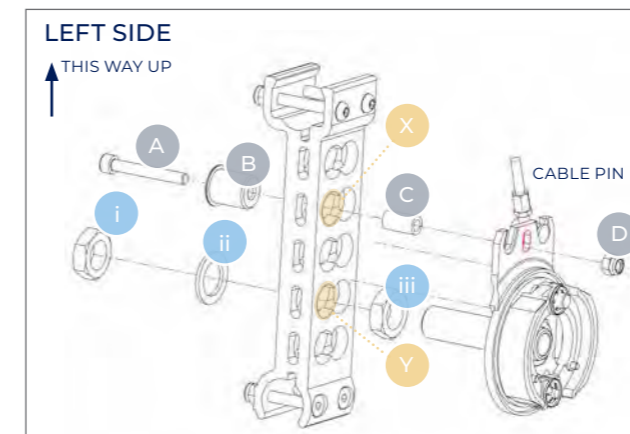


12.14 DRUM BRAKES FOR REAR WHEELS



- Remove quick release axle from wheelchair by pushing in spring button and pulling wheel outwards.
- Lay the wheelchair on its side, remove axle sleeve from wheelchair frame using a 24mm spanner.

Installing Drum Brakes



- Ensure the direction of the brake kit is facing upwards towards the top of the wheelchair.
- Remove nut **i** and washer **ii**, Slide drum brake through hole **Y**.
- Stand wheelchair back onto it's wheels (from side lying position) ensuring cable pin stays pointing towards the top of the wheelchair.
- Mount hardware **A**, **B**, **C**, **D**, through hole **X** on wheelchair and drum brake, this must be done in alphabetical order as shown. Secure in place with 10mm Spanner & 5mm Allen key.

13. AMPUTEE SETTING ADJUSTMENT

Installing Hand Brakes

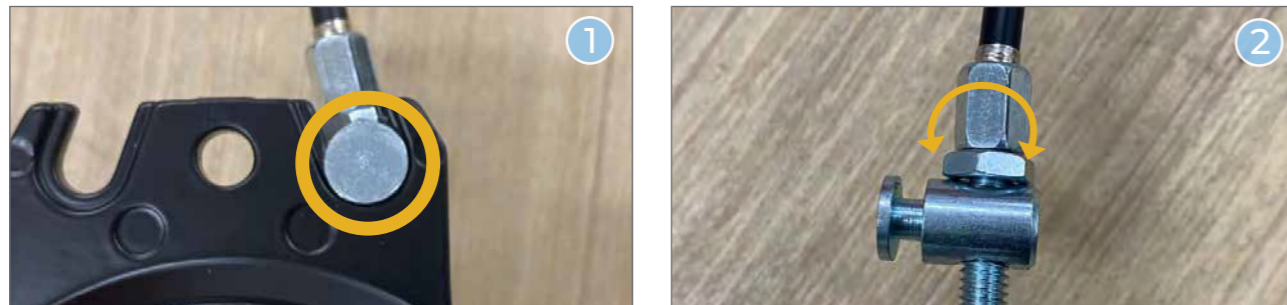


1. Mount hand brake to wheelchair handle & fasten in place with a 4mm Allen key.
2. Fasten wheel to wheelchair by locking in place with the quick release axle provided in the box.
3. Repeat steps 1 to 8 for the other side.

Adjusting Brake Strength

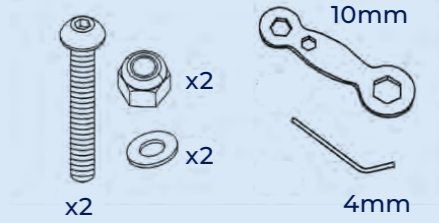
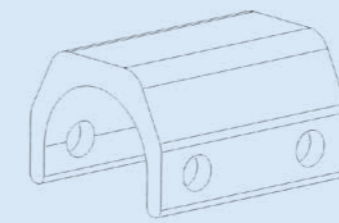
If brakes require tightening or loosening, follow below steps.

1. Remove wheel and quick release axle from wheelchair, slide out brake cable.
2. Adjust brake strength: Tighten (Clockwise) & Loosen (Anti-Clockwise).
3. Reposition brake cable & wheel and lock into place with quick release axle.

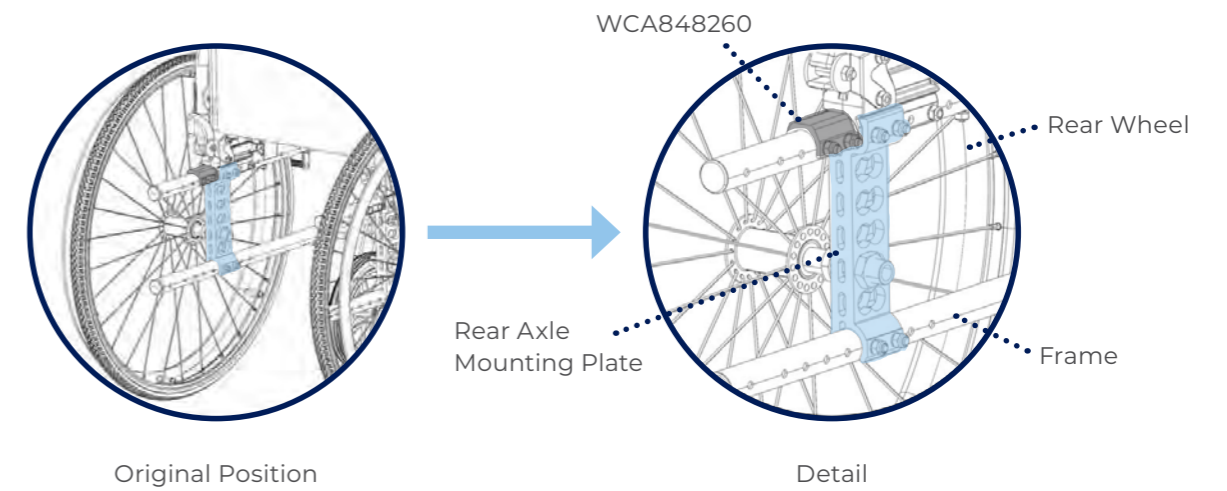


Tools and Components Required:

- Part Number: WCA848260 (Supplied with wheelchair)
- 2 x screws
- 2 x nuts
- 2 x washers
- 1 x 4mm Allen key
- 1 x 10mm spanner

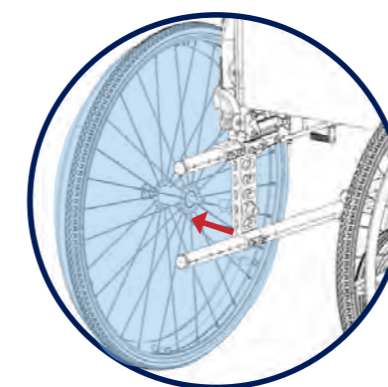


1



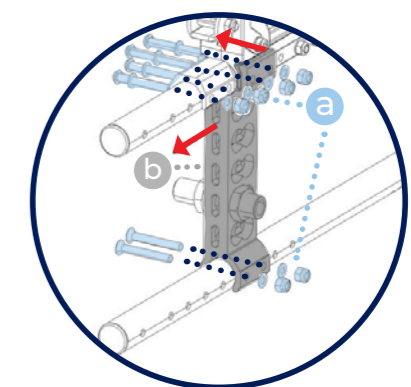
2

Detach wheel off the frame.



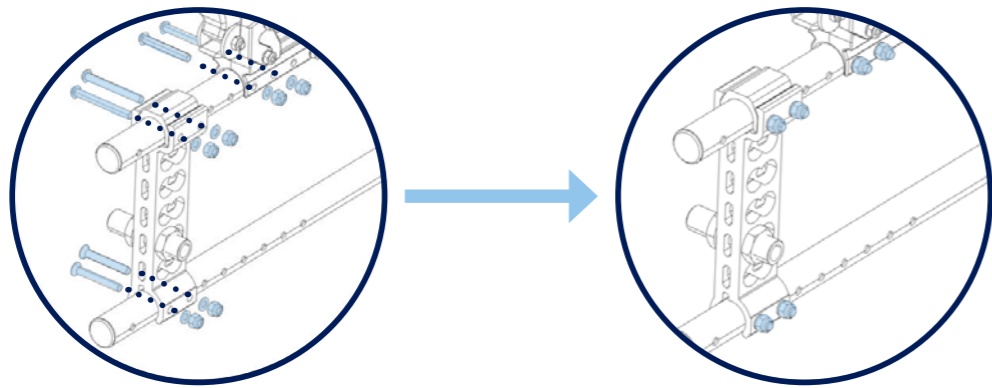
3

a. Loosen fastener.
b. Move the rear axle mounting plate backward.

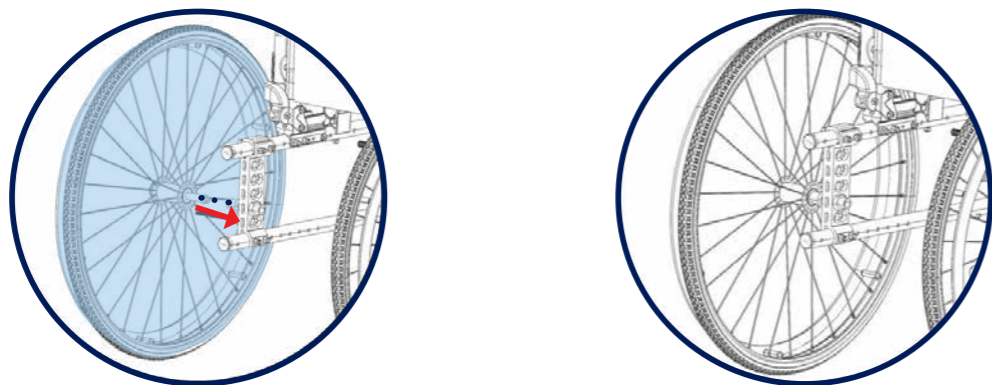


14. TROUBLESHOOTING

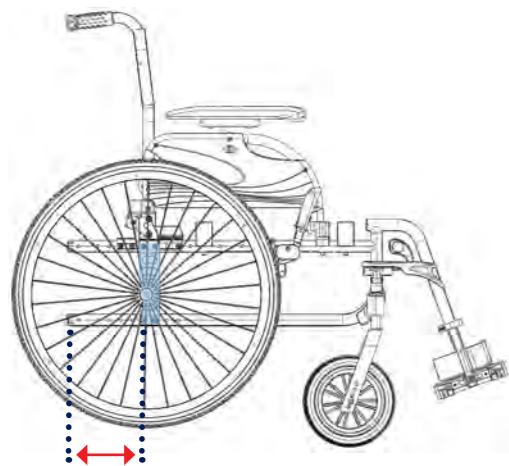
- 4 Tighten the 2 long bolts in the new position, then the 2 short bolts in original position.



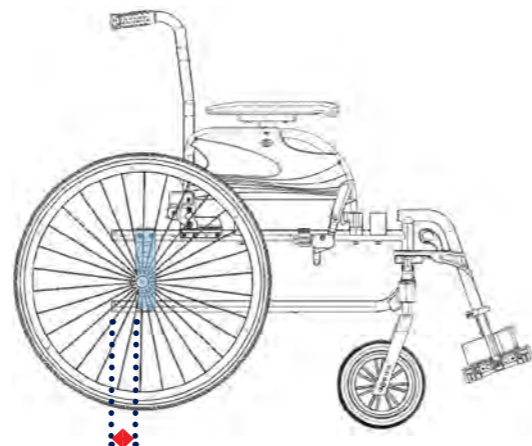
- 5 Attach rear wheel back.



Before



After Rear wheel fitment has been moved to shift the centre of gravity backward.



Wheelchair is steering/pulling to one side

- Ensure rear wheel quick-release axles are locked to securely in place. This can be checked by raising the rear wheels off the ground and pulling gently outward at the wheel hub. When locked in place the locking balls should be visible at the inner end of the axle sleeve.
- Make sure the end user is able to evenly distribute his/her weight on the wheelchair.
- Make sure each wheel rotate freely

Wheelchair is moving slowly

- Make sure the rear wheels are attached correctly to the frame.
- Remove any hair or dirt from castor and rear wheel axles.
- Make sure there is not too much weight applied to the castors, otherwise adjust the centre of gravity.
- Ensure user clothing is not interfering with movement of the rear wheels.
- Ensure both brakes are disengaged.

Wheelchair does not turn smoothly

- Make sure the front fork bolts are not over tightened which can restrict front castor wheel rotation.
- Remove any hair or dirt from castor axles.
- Ensure both brakes are disengaged.

Brakes are not working properly

- Check distance between tyres and brake foot is sufficient such that the requisite amount of force can be applied to the tyre surface to stop it moving when the brake is in the engaged position.

Wheelchair cannot be opened or folded easily

- Clean the crossbar under the seat and apply some grease.
- Check that nothing has become lodged under the seat or in and around the cross bar mechanism.
- Check foot plates are folded up.

Correct adjustment of the wheelchair is essential for the successful and safe use of this product.

Should assistance be required, contact Aidacare.

15. CARE & MAINTENANCE

MAINTENANCE SCHEDULE

Weekly	Periodically	Yearly	Serviceable Components
<ul style="list-style-type: none"> Check brakes are functioning properly Check all fastenings such as nuts, bolts and hinges are fastened correctly and functioning normally 	<ul style="list-style-type: none"> Check for signs of wear on front castors Check for signs of wear on rear tyres 	<ul style="list-style-type: none"> Service to be completed by authorised Aspire service agent 	<ul style="list-style-type: none"> Wheels & Tyres Forks Axles Armrest receivers Seat sling Footrest mounts Footplates Armrest Pads

CARE FOR YOUR CHAIR

- Check tyre condition at least twice per month.
- Check that rear wheel spokes are not loose. Loose wheel spokes can reduce the strength of the rims and must be safely adjusted by a qualified technician.
- Always keep rear wheel axles clean and free from dirt and hair build up.
- Brakes should be checked regularly.

CLEANING INSTRUCTIONS

- Clean the wheelchair regularly with a damp cloth
- Use a mild washing agent and warm water for excess dirt build-up
- DO NOT** use harsh abrasive or bleach-based agents which may cause damage or discolouration. **DO NOT** use the wheelchair if damages are found on the seat or backrest upholstery.
- Dry with a soft cloth

Should you have any doubts about the correct functioning of the wheelchair or any of its components, please contact Aidacare.

16. WARRANTY

Aspire Manual Wheelchairs come with a 2 year warranty on the frame and a 1 year warranty on all components. Please keep purchase invoice as proof of warranty commencement.

2 YEARS WARRANTY
Frame

1 YEAR WARRANTY
Components

Please keep purchase invoice as proof of warranty commencement.

This product carries a warranty that varies by component part. The frame and cross frame carry a 2-year warranty, and all other components except consumables (armrest pads, tyres, castors, and upholstery) carry a 1-year warranty. Consumable parts (armrest pads, tyres, castors and upholstery) carry a 1 year warranty against manufacturer defect only, and do not cover wear and tear through use.

For further information contact **Aidacare**.

17. COMPLIANCE

This Wheelchair range is manufactured in ISO compliant production facilities in P.R China to strict quality control standards.

Aspire wheelchairs are manufactured and independently tested to the market relevant compliance standards.

Labels on the wheelchair address compliance requirements and users should familiarise themselves with these prior to use.

18. SERVICE MAINTENANCE & CUSTOMISATION

FOR ALL ENQUIRIES PLEASE CONTACT YOUR LOCAL AIDACARE BRANCH

SPARE PARTS

Aidacare stock replacement parts for the Aspire wheelchair range. All replacement of parts should be completed by Aidacare or authorised Aspire service technician. The term parts includes but is not limited to: tyres, brakes, armrests, footrests and upholstery.

A complete parts list is available upon request.

CUSTOMISATION AND MODIFICATION

All wheelchair customisation, modifications and or alterations made to this product are considered as "custom" changes. These may cause the product to no longer meet safety standards and should be considered prior to commencement.

Any customisation or modification of the wheelchair is not warranted by Aidacare and will void warranty.

19. MANUFACTURER, UK REPRESENTATIVE & IMPORTER DETAILS

If you have any questions, you can contact:



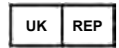
Manufacturer:

Aidacare Pty Ltd

ABN 40 134 833

Building 3A, 1 Moorebank Avenue,
Moorebank NSW 2170
Australia

1300 133 120 | product@aidacare.com.au



UK Representative:

SGB QA/RA Consulting Ltd

5 Ashley Road, Clevedon BS21 7UX
United Kingdom

sam@sgbconsultingservices.co.uk



Importer:

Aidacare Ltd

Registration 13785408

Arcadia House, Maritime Walk, Ocean Village,
Southampton SO14 3TL
United Kingdom

01622 541235 | info@aidacare.co.uk

AIDACARE PTY LTD

Building 3A, 1 Moorebank Avenue,
Moorebank NSW Australia 2170

1300 133 120 | aidacare.com.au

AIDACARE LIMITED

Arcadia House, Maritime Walk,
Ocean Village, Southampton SO14 3TL
United Kingdom

01622 541235 | aidacare.co.uk

MADE IN PRC

ASUM30.41 090823

